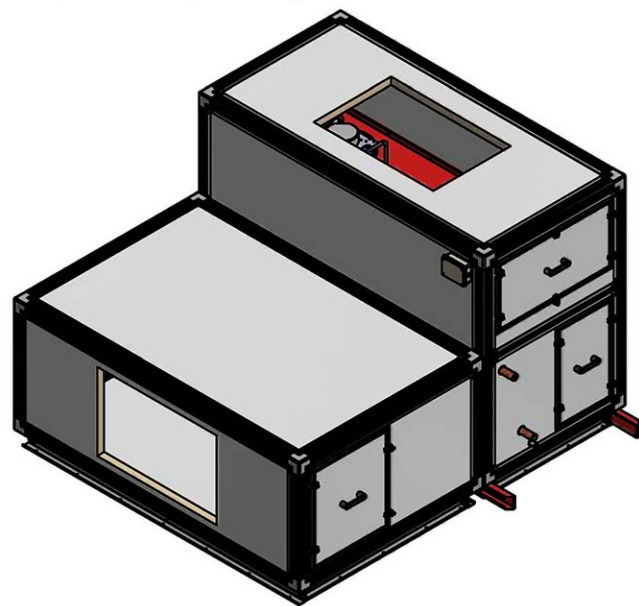
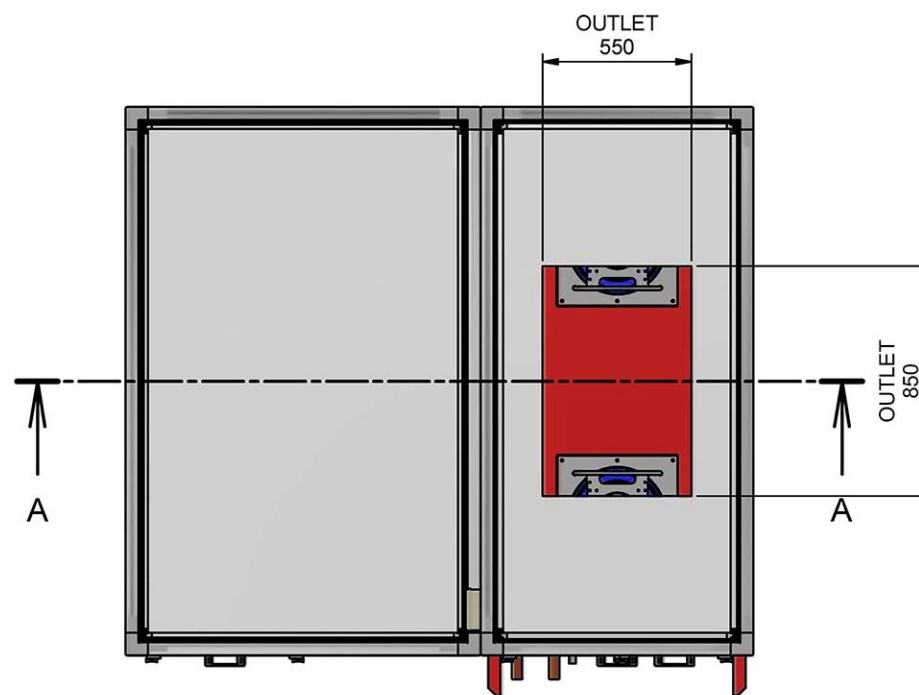
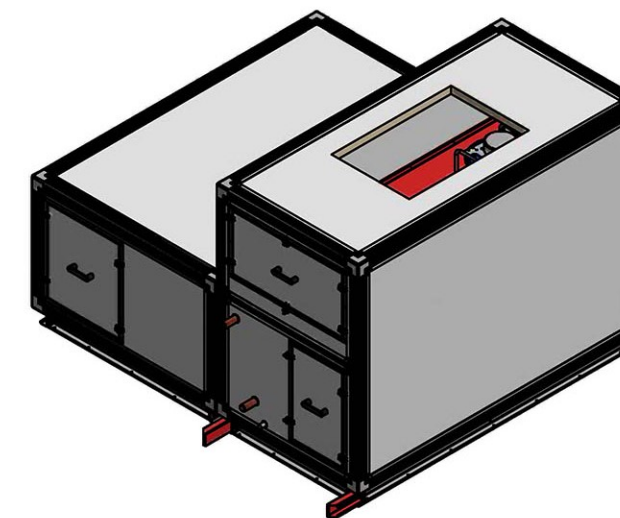


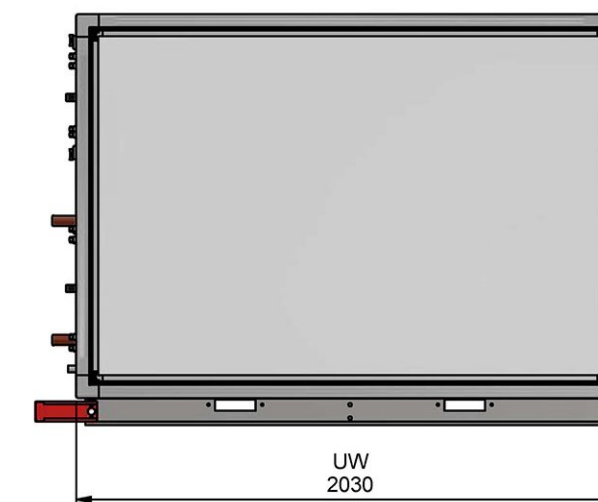
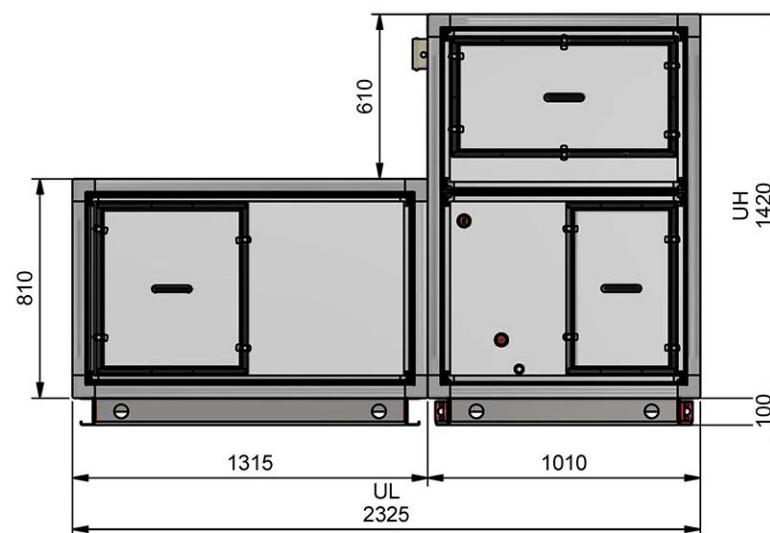
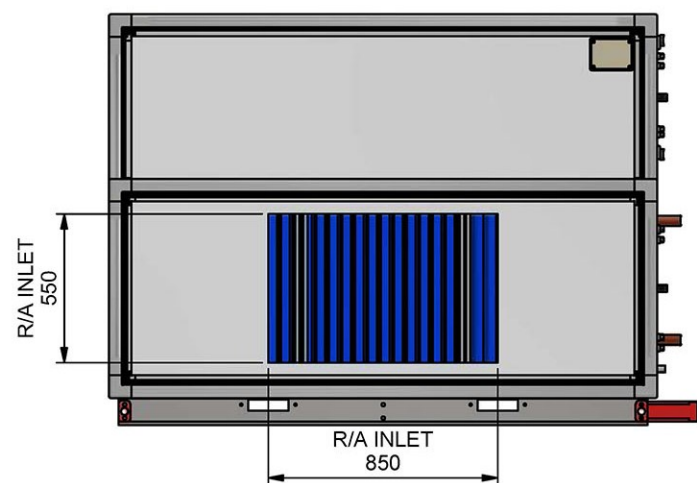
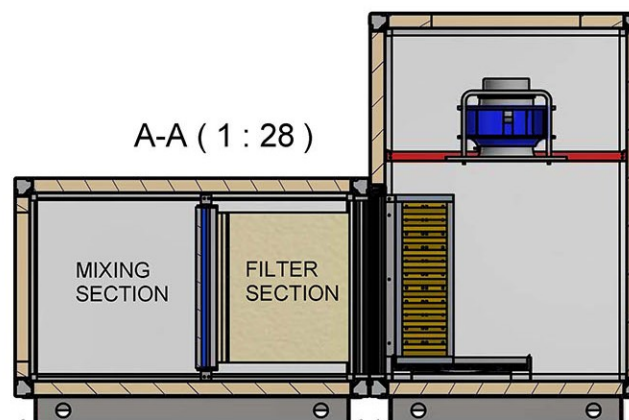
VIEW ISO 1 ( 1 : 38 )



VIEW ISO 2 ( 1 : 38 )



A-A ( 1 : 28 )



MAX R/A INLET (HORIZONTAL) : 570X1790MM  
 MAX O/A INLET (VERTICAL) : 480X1790MM  
 MAX S/A (HORIZONTAL) : 380X1805MM  
 MAX S/A (VERTICAL) : 770X1805MM

UNLESS OTHERWISE SPECIFIED  
 DIMENSIONS ARE IN MILLIMETERS  
 BREAK AND DEBUR ALL SHARP EDGES

3rd ANGLE PROJECTION

DO NOT SCALE DRAWING

|     |     |            |                  |
|-----|-----|------------|------------------|
| Rev | By  | Date       | Description      |
| /00 | Toh | 22/03/2017 | Initial Released |

|   |                 |   |          |  |  |
|---|-----------------|---|----------|--|--|
| Fantech Pty Ltd. © A.C.N. 005 434 024<br>45 NESTOR DRIVE, MEADOWBROOK, QUEENSLAND, AUSTRALIA. 4131<br>TELEPHONE: (07) 32 999 888 FACSIMILE: (07) 32 999 800 |                 |   |          |  |  |
| DRAWN: Toh  | DATE: 22/3/2017 | General Layout<br>ME2B-V206/G3-FPL,<br>GR31(115506)x2 |          |  |  |
| CHKED: Sean   | DATE: --        |   |          |  |  |
| APPRD: JT   | DATE: --        |   |          |  |  |
| DRAWING NO: 868-8030-2206   | REV: /00        | SCALE: 1 : 28   | SIZE: A3 |  |  |